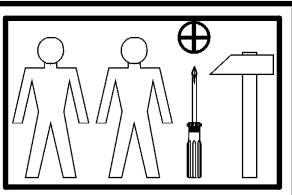
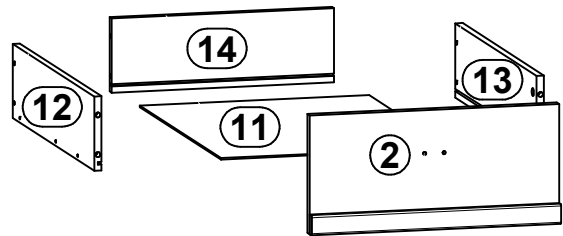
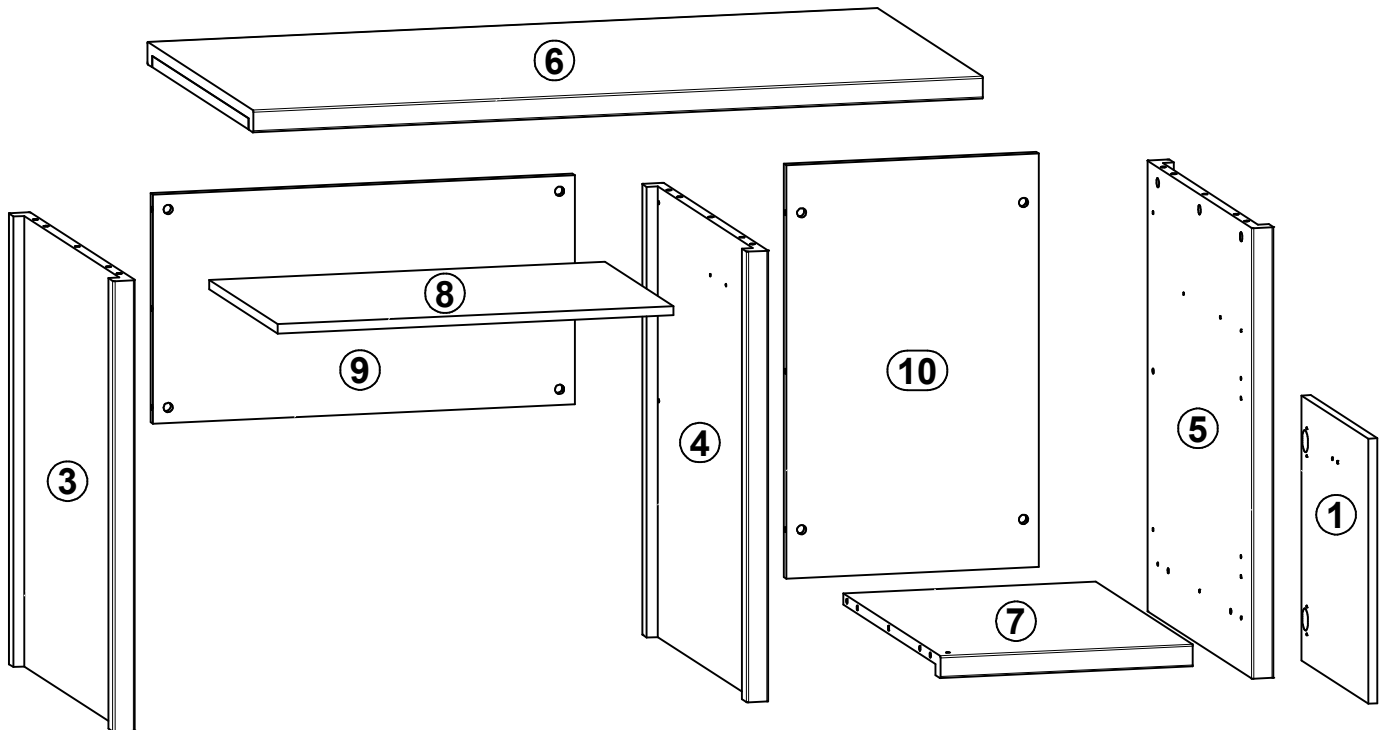
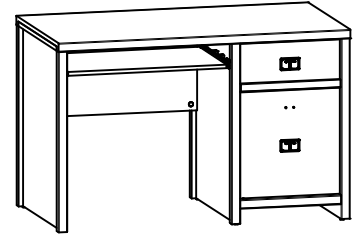


KASPIAN CLASSIC

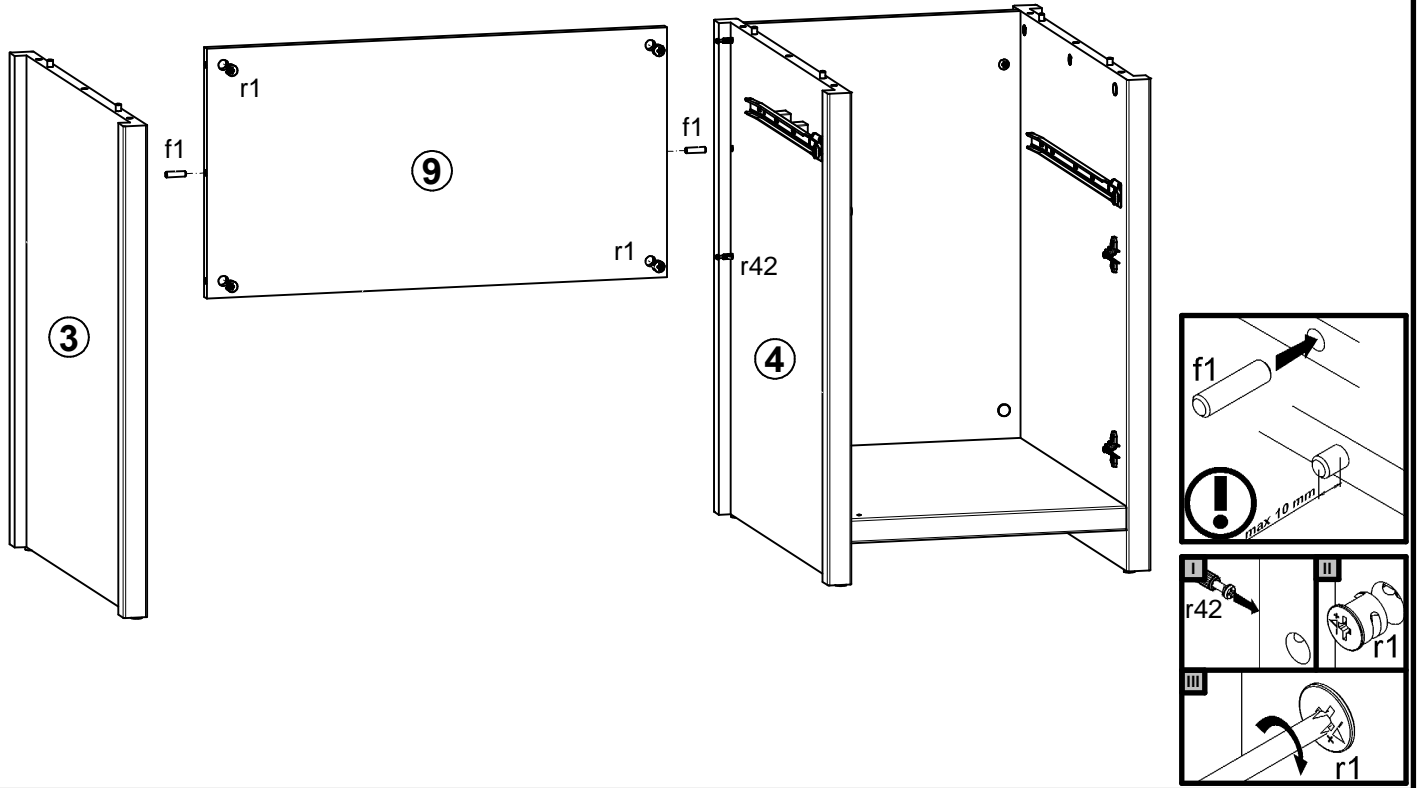
S158-BIU/120

A	B	C	D	
1	S158-016	410	428	3/3
2	S158-017	410	192	3/3
3	S158-131	728	644	1/3
4	S158-132	728	644	1/3
5	S158-133	728	644	1/3
6	S158-211	1200	650	2/3
7	S158-319	415	596	1/3
8	S158-320	651	420	2/3
9	S158-407	694	370	1/3
10	S158-408	415	668	1/3
11	S158-919	377	498	1/3
12	ZS2-509	500	120	1/3
13	ZS2-510	500	120	1/3
14	ZS2-5525	366	120	1/3

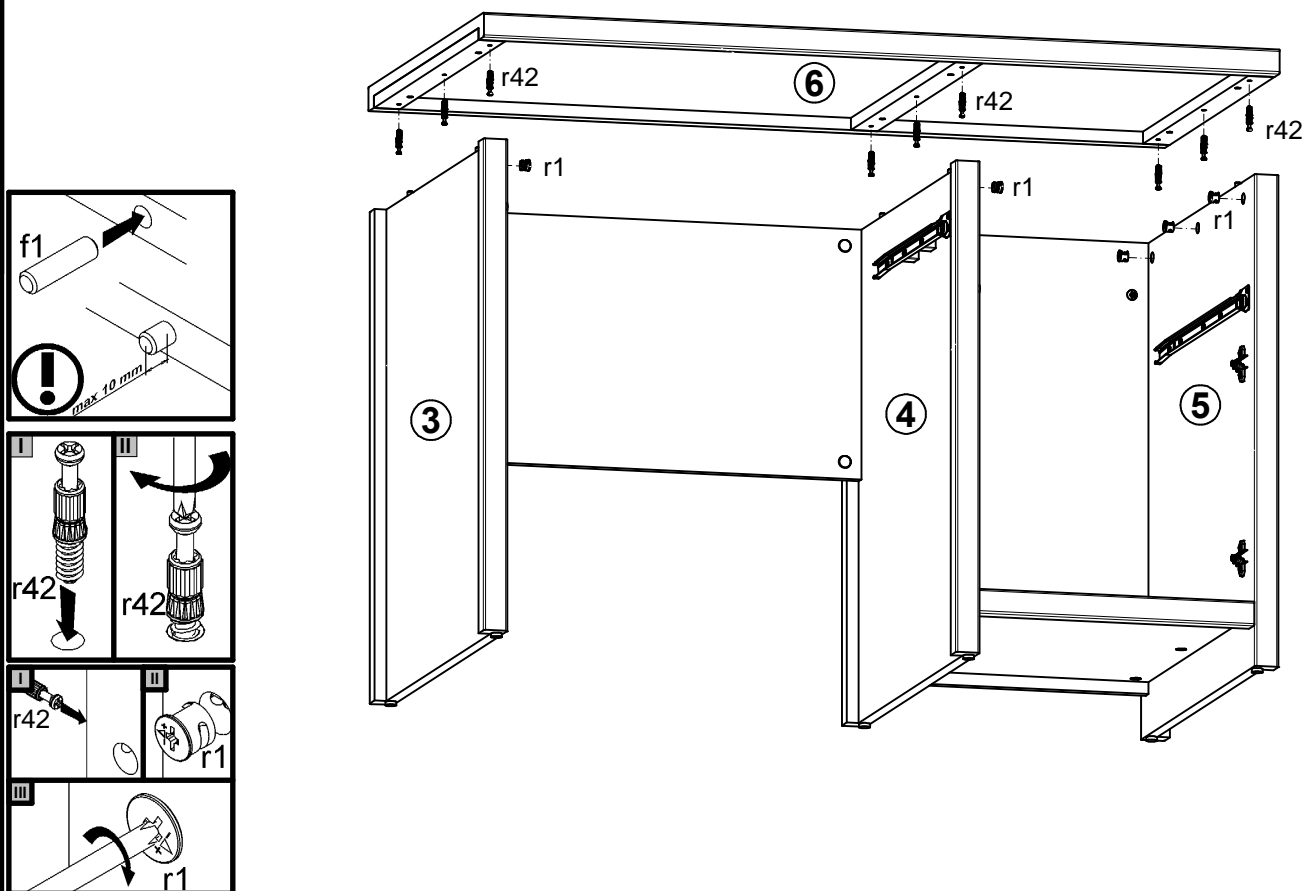


2x K16 a43	2x D5 b19	2x c239\2	3x φ5x30 mm e16	6x φ5x9 mm e19	4x φ6,3x13 mm e2	9x φ6x13 mm e3	14x φ8x30 mm f1	4x φ6,5x40 mm f25
4x M4x20 mm j1	6x k1	4x φ3,5x13 mm p27	4x φ3,5x15 mm p51	23x φ1,5x12mm #16 r1	4x φ12x10,5mm #12 r15	27x r42	11x φ16 s2	1x 500 mm w26\CL
1x 500 mm w26\CR	1x 500 mm w26\DL	1x 500 mm w26\DR	3x h=18 mm w36	1x 400 mm w5\CL	1x 400 mm w5\CR	1x 400 mm w5\DL	1x 400 mm w5\DR	1x φ6,3x15 mm d4

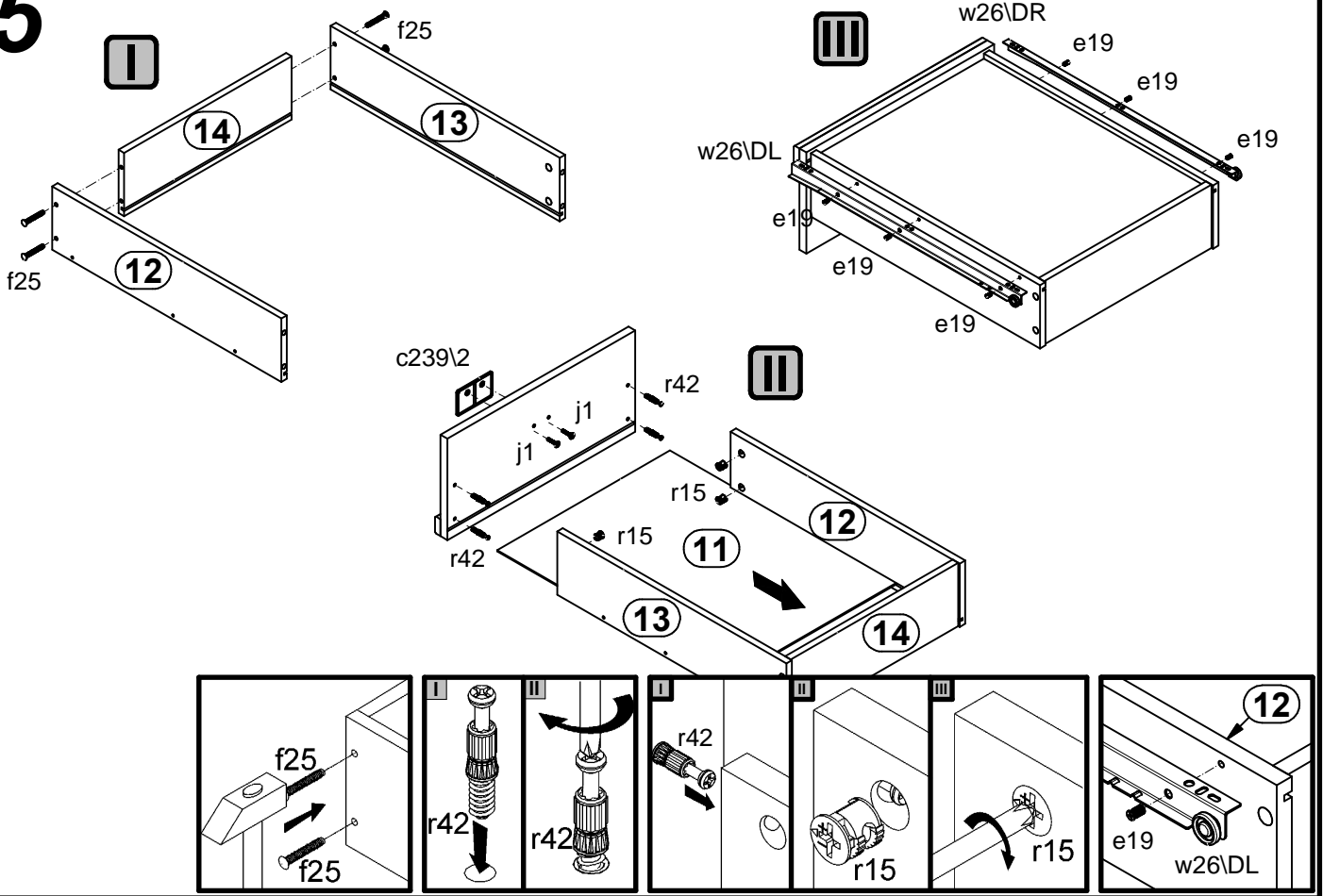
3



4



5



6

